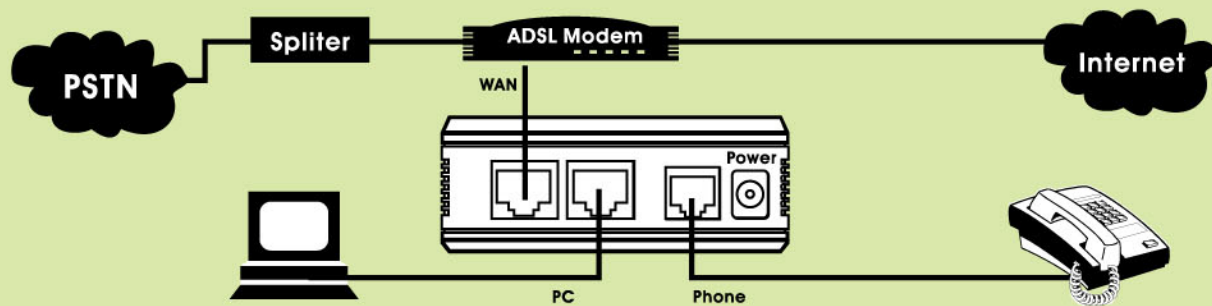


# ATA-151

**Ultra-Compact and Portable VoIP solution**



**The ATA-151 is a one-port telephony gateway that the user can take advantage of many new and exciting IP telephony application by connecting their analog phone to ATA-151. Standard-based communication device that offering true, next generation voice- over-IP (VoIP) application for residential and small medium enterprise in internet communication.**



## Physical interface

1. RJ-45
  - A. LAN X 1 for connecting to HUB or ATU-R directly
  - B. PC X 1 for PC connection
2. RJ-11
  - A. Phone X 1 for regular phone connection
3. Power
  - A. Voltage : DC 12 V
  - B. Current : 1 A
4. LED
  - A. LAN: HUB link status indication
  - B. PC: PC link status indication
  - C. Status: VoIP status indication
  - D. Power: Power status indication
  - E. Phone: Analog phone status indication
5. Dimension: 9.9 X 9.9 X 3.2 cm

## Network

1. Network connection
  - A. PPPoE (RFC 2516)
    - a. Account / password can be saved
    - b. Auto reconnection after disconnection
  - B. DHCP client (for WAN port)
  - C. Static IP
    - a. IP / subnet mask / default gateway can be configured by manual
2. DHCP Server and NAT
3. Diff Serv and VLAN
4. Support SNTP

## System management

1. Support Web / Telnet for remote control
2. Username / Password for login to make configuration

## Voice feature

1. Voice codec
  - A. G.711(A-law/  $\mu$ -law)
  - B. G.723.1
  - C. G.729
  - D. G.711 FAX pass-through mode
2. RTP / RTCP
3. Echo Cancellation G.168
4. Silence Detection/Suppression
5. Comfort Noise Generation
6. DTMF Detection/ Generation
7. Call Tone Generation
  - A. Dial tone
  - B. Ring back tone
  - C. Busy tone

## Protocol

- SIP RFC 3261
- A. Outbound proxy
  - B. Support IP or domain name for primary and secondary proxy address and auto switching is enabled.

## Call function

1. Call Forwarding
2. Call Transfer
3. Call Hold
4. Calling Number Delivery

## Firmware update / upgrading

TFTP / FTP / Web remote update

## Environment

1. AC Power
  - A. 110~220V  $\pm$  10V
  - B. 60Hz  $\pm$  3Hz
2. Environment
  - A. Temperature : 0°C~40°C
  - B. Humidity : 10%~90%RH

